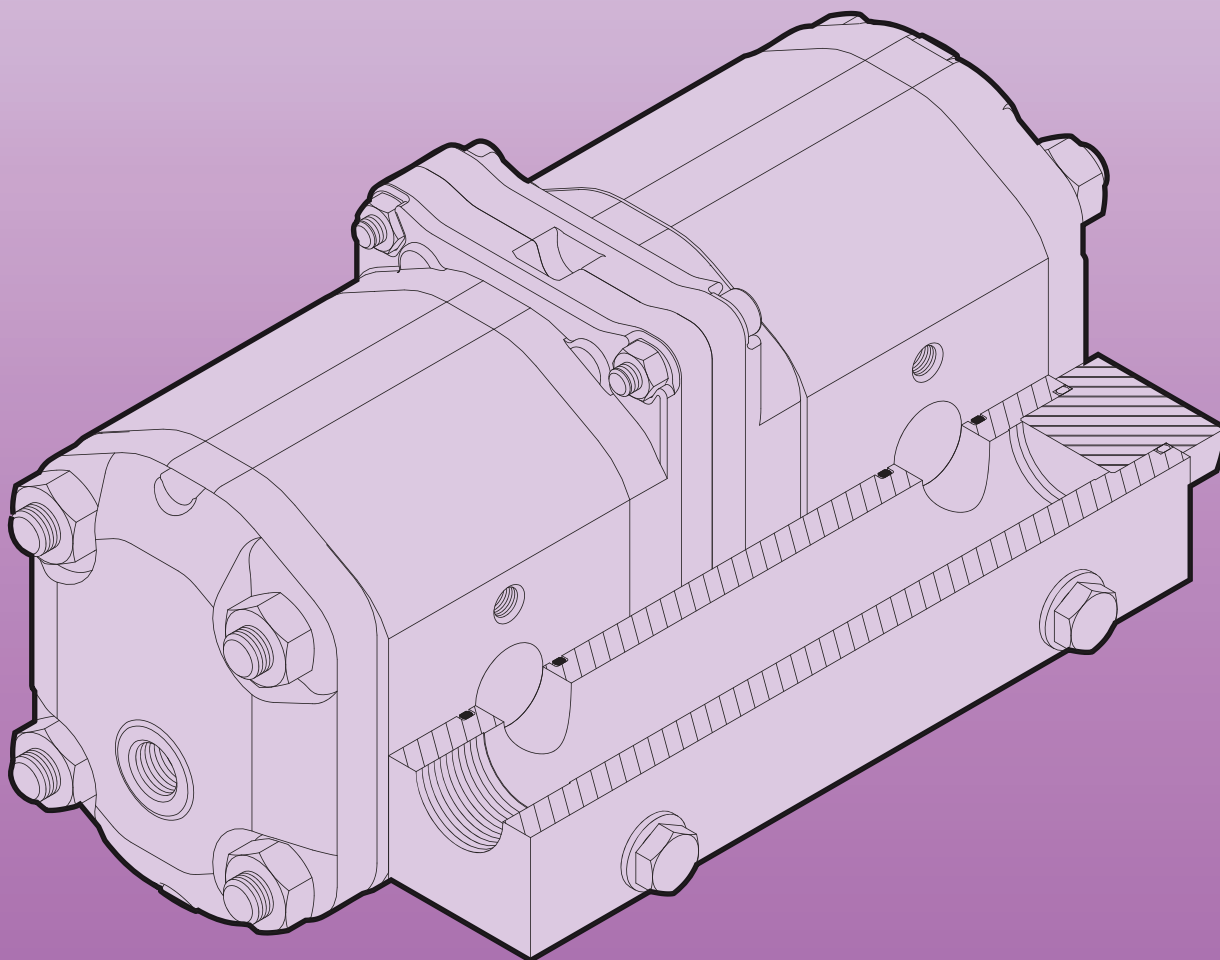




MARZOCCHIPOMPE
HIGH PRESSURE GEAR PUMPS

Findynamica
drive and control products



ALF2
GHF2

MODULAR FLOW DIVIDERS

ALF2 GHF2

MODULAR FLOW DIVIDERS

The gear flow divider is an oleo hydraulic device, which allows the splitting of a single flow, normally supplied by the outlet of a single pump, into several branches equal to the number of modules constituting the divider.

Marzocchi flow dividers can be supplied both as ALF and GHF series, and are basically composed by several modular elements combined into a single multiple system according to the application requirements. For a deep explanation we invite to consult the introductive pages of "Gear Multiple Modular Pumps ALP/GHP" catalogue.

In their standard configuration our flow dividers are equipped with drains on the covers of the external elements and with both the inlet and outlet port on each single module.

For common inlet feature, an external manifold is anyhow available as option alongside the dedicated brackets for the mounting of the device. Synchronisation valves are not anyhow available at this time.

Upon verification from our Technical/commercial office this technology can be conveniently used in several different applications as for example pressure amplifier or combined hydraulic motor-pumps.

Technical features

Displacement	From 4,5 cm ³ /rev to 28,2 cm ³ /rev
Operating max. pressure	Ref. ALM-GHM catalogues
RPM range	From 1200 to 2500 rpm
Ports	Side ports code E, EP, FG, FC, F, D
Drain	E1, E2 (ref. ALM catalogue)