

## “LE” VARIANT - EMERGENCY CONTROL LEVER FOR DIRECTIONAL CONTROL VALVES (ADC/AD.3.E)

The emergency control lever for solenoid valves by Aron, represents a develop in terms of safety and flexibility among applied hydraulic components.

Thanks to his flexibility, the component was designed to be inserted between the valve body and the spool, providing total interchangeability between the different types of solenoid body valves manufactured by Aron. It is compatible with the standard CETOP 3 and stackable valves with threaded connections –G3/8” or 9/16-18UNF (SAE 6). The component is available for both directional control and proportional valves (for the last type of control please consult our Technical Department)

As an emergency lever applied to solenoid valves, the control can be used as a safety device in conformity with the industry standards , also playing an useful role in the event of power cuts. The control can be used in agricultural and mobile fields; the manual action can be used to carry out periodic maintenance work on mobile components of the vehicle , in perfectly safe working conditions.

Max operating pressure port T:	
dynamic	160 bar
static	210 bar

Max operating pressure port P for series connection configuration	160 bar
---	---------

- **MOUNTING TYPE: C / F / H**
- **SPOOLS TYPE: 01/02/03\*/04/16/17/66**

\* The spool 03 is allowed only on AD3E. Not permitted with ADC3

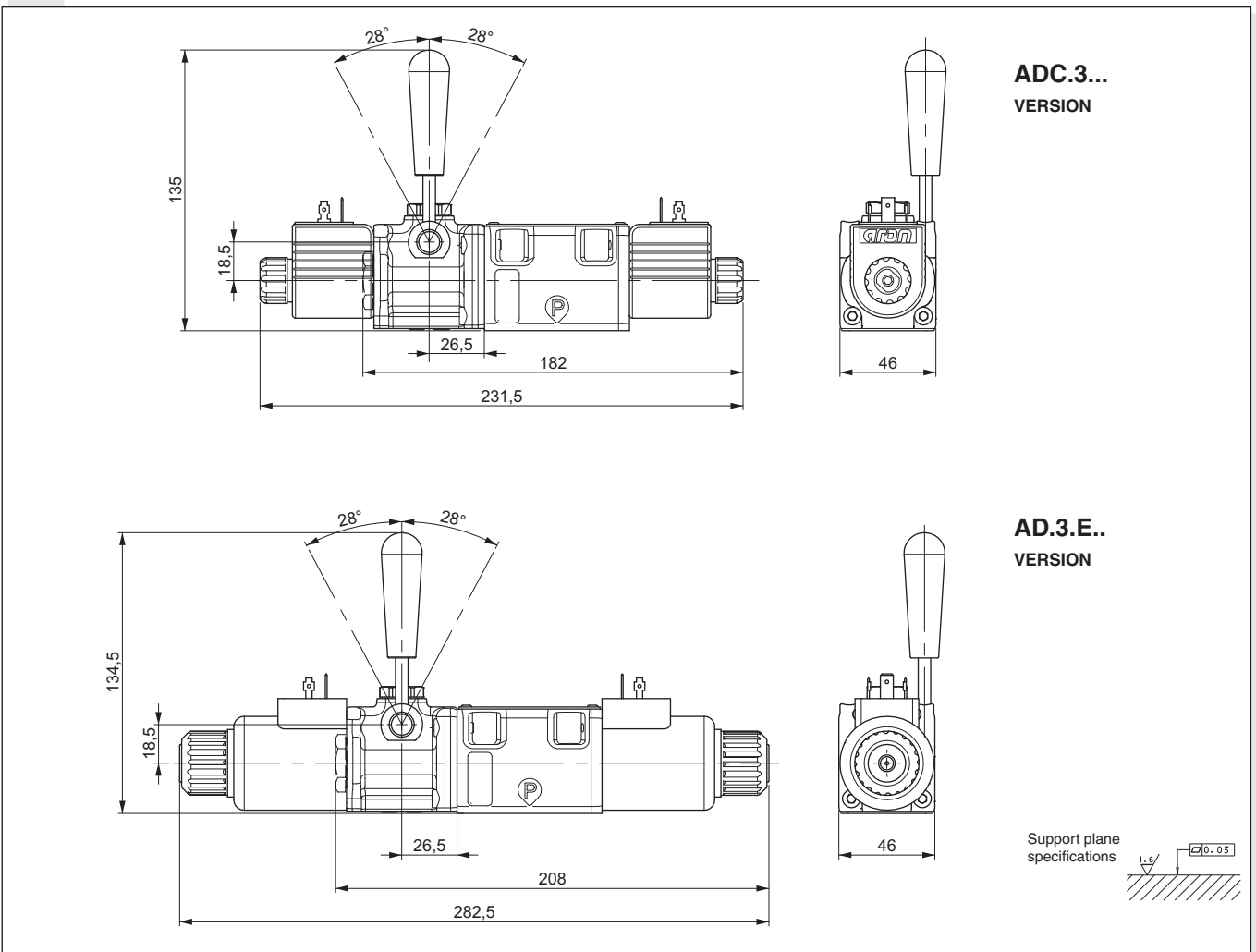
### HYDRAULIC SIMBOL



### MOUNTING COMPATIBILITY

CODE VALVE	DESCRIPTION	COIL	VOLTAGE
<b>ADC.3...</b>	Directional control valve	A09	27 W
<b>AD.3.E...</b>	Directional control valve	D15	30 W

### OVERALL DIMENSION



**ORDERING CODE**

<b>AD</b>	Directional valve
<b>3</b>	CETOP 3/NG6
<b>E</b>	Type of operator For other operator see next pages
<b>**</b>	Spool see page I•10
<b>*</b>	Mounting type (table 1)
<b>*</b>	Voltage (table 2)
<b>**</b>	Variants (table 3)
<b>*</b>	Serial No.

**3** = DC voltage ("D15" coil)  
**3** = AC voltage ("B14" solenoid)

**TAB.2 - VOLTAGE**

AC SOLENOID B14	
<b>A</b>	24V/50-60 Hz
<b>B</b>	48V/50-60 Hz
<b>J</b>	115V/50Hz - 120V/60Hz
<b>Y</b>	230V/50Hz - 240V/60Hz
<b>K</b>	AC without coils
Other voltages available on request.	
DC COIL D15 (30W)	
<b>L</b>	12V
<b>M</b>	24V
<b>V</b>	28V*
<b>N</b>	48V*
<b>Z</b>	102V*
<b>P</b>	110V*
<b>X</b>	205V*
<b>W</b>	DC without coils

115Vac/50Hz  
120Vac/60Hz  
with rectifier

230Vac/50Hz  
240Vac/60Hz  
with rectifier

Voltage codes are not stamped on the plate, their are readable on the coils.  
 (\*) Special voltage

**TAB.1- MOUNTING**

STANDARD	
<b>C</b>	
<b>D</b>	
<b>E</b>	
<b>F</b>	
SPECIALS (WITH PRICE INCREASING)	
<b>G</b>	
<b>H</b>	
<b>I</b>	
<b>L</b>	
<b>M</b>	

- **Mounting type D** is only for valves with detent
- In case of **mounting D** with detent a maximum supply time of 2 sec is needed (only for AC coils).

**TAB.3 - VARIANTS (\*)**

VARIANT	CODE	◆	PAGE
No variant (without connectors)	S1		
Viton	SV		
Emergency control lever for directional control valves type ADC3 and AD3E	LF		I•20
Emergency button	ES		I•18
Rotary emergency button	P2		I•18
Rotary emergency button (180°)	R5		I•18
Preset for microswitch (E/F/G/H mounting only) (see below note ◊)	MS	◆	I•11- I•14
Cable gland "PG 11"	C1		I•19
Emergency button+ Viton	VU		
5 micron clearance	SQ	◆	
Spool movement speed control (only VDC) with ø 0.3 mm orifice	3S	◆	I•12
Spool movement speed control (only VDC) with ø 0.4 mm orifice	JS	◆	I•12
Spool movement speed control (only VDC) with ø 0.5 mm orifice	5S	◆	I•12
Spool movement speed control (only VDC) with ø 0.6 mm orifice	6S	◆	I•12
AMP Junior coil - for12V or 24V DC voltage only	AJ		I•18
AMP Junior coil and integrated diode - for12V or 24V DC voltage only	AD		I•18
Coil with flying leads (175 mm) - for12V or 24V DC voltage only	SL		I•18
D15 plastic type coil - for12V, 24V, 28V or 110V DC voltage only	RS		
Deutsch DT04-2P coil - for12V or 24V DC voltage only	CZ		I•18

Other variants relate to a special design

◊ = Maximum counter-pressure on T port: 8 bar  
 ◆ = Variant codes stamped on the plate

(\*) All variants are considered without connectors. The connectors must be order separately. See Ch. I Page 19

**TWO SOLENOIDS, SPRING CENTRED "C" MOUNTING**

Spool type		Covering	Transient position
01		+	
02		-	
03		+	
04*		-	
44*		-	
05		+	
66		+	
06		+	
07*		+	
08*		+	
09*		+	
10*		+	
22*		+	
11*		+	
12*		+	
13*		+	
14*		-	
28*		-	

**ONE SOLENOID, SIDE A "E" MOUNTING**

Spool type		Covering	Transient position
01		+	
02		-	
03		+	
04*		-	
44*		-	
05		+	
66		+	
06		+	
08*		+	
10*		+	
12*		+	
15		-	
16		+	
17		+	
14*		-	
28*		-	

**DIRECTIONAL CONTROL VALVES  
STANDARD SPOOLS CETOP 3/NG6**



**NOTE**

(\*) Spool with price increasing

• With spools 15 / 16 / 17 only mounting E / F are possible

• 16 / 19 / 20 / 21 spool not planned for AD.3.E...J\*

• For lever operated the spools used are different.

Available spools for this kind of valve are: 01 / 02 / 03 / 04 / 05 / 06 / 66 / 07 / 22 / 13 / 15 / 16 / 17

**ONE SOLENOID, SIDE B "F" MOUNTING**

Spool type		Covering	Transient position
01		+	
02		-	
03		+	
04*		-	
44*		-	
05		+	
66		+	
06		+	
08*		+	
09*		+	
10*		+	
22*		+	
12*		+	
13*		+	
07*		+	
15		-	
16		+	
17		+	
14*		-	
28*		-	

**TWO SOLENOIDS "D" MOUNTING**

Spool type		Covering	Transient position
19*		-	
20*		+	
21*		+	