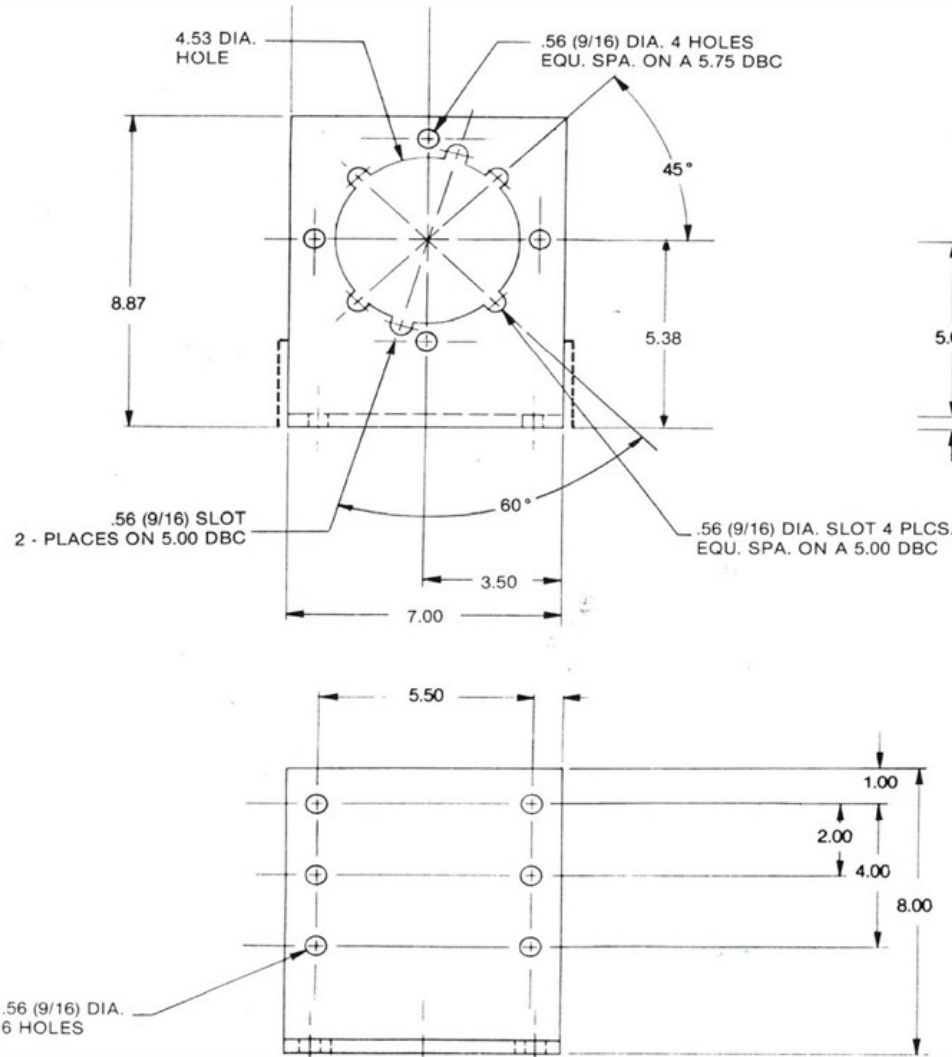
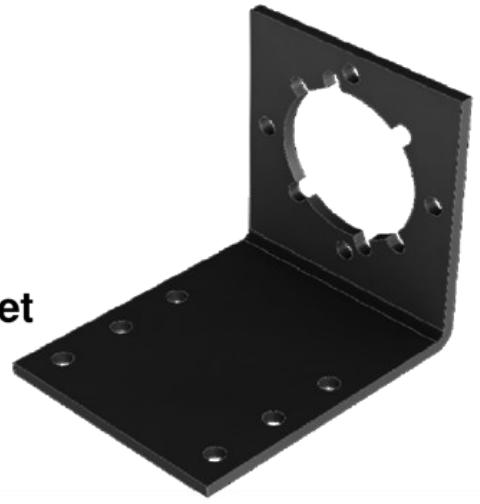


Model B-H28 Clutch Mounting Bracket



Note:

Also fits Gresen TC (Adapter ring 1051120 required)

PATENT NO. 4601378

Pitts Bracket
Part No
13219

Used On
H28 Series Clutches

Weight
9 Lbs.