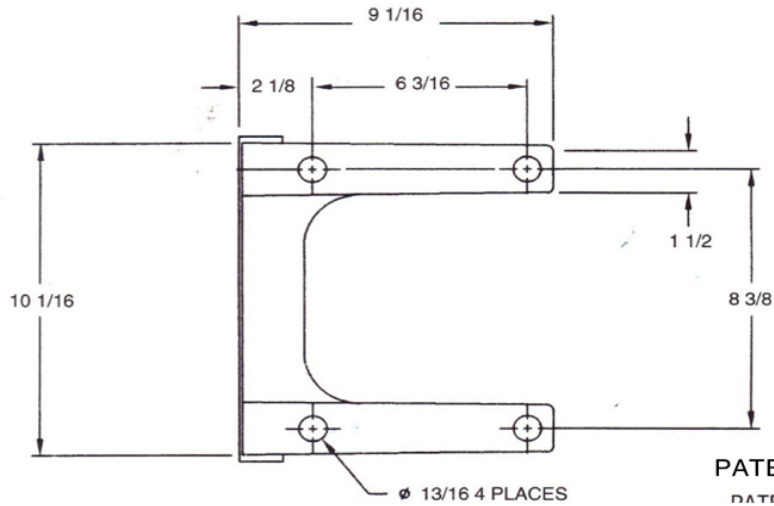
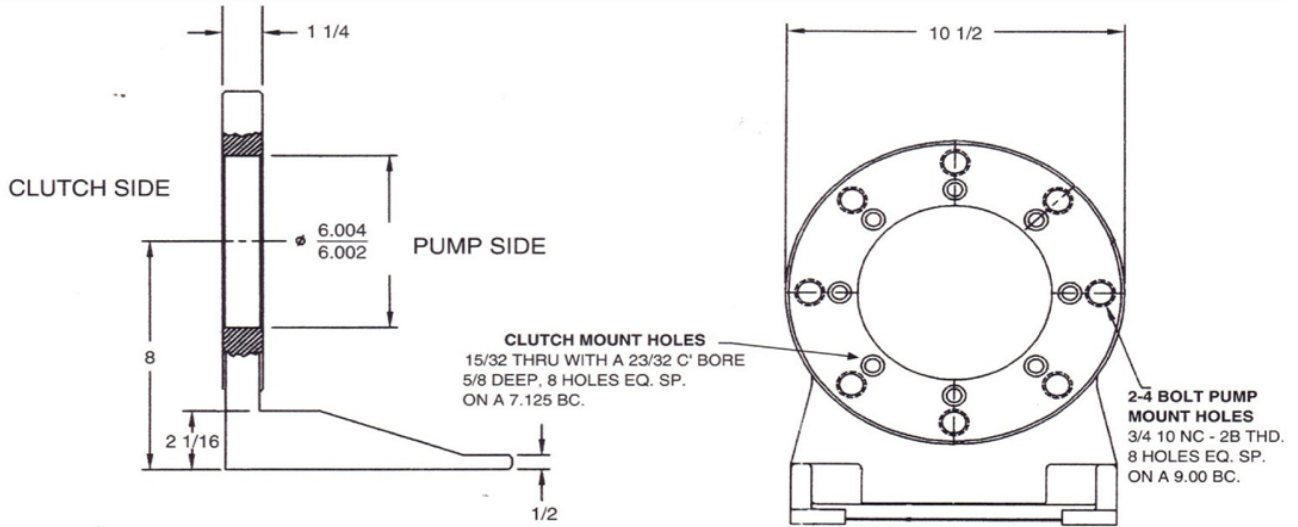


## **Model B-H55** **Clutch Mounting Bracket** **SAE "D" 2-4 Bolt**



PATENT NO. 4601378  
 PATENT NO. 4601378

Pitts Bracket Part No	Used On	Weight
14219	H55 Series Clutches	48 Lbs.