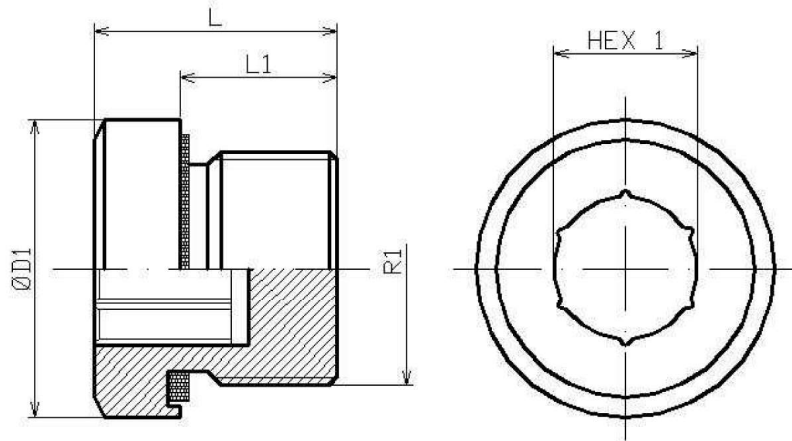


Blanking plug with captive seal BSP cyl



Part n°	ØD1	R1	Working Pressure (bar)	L	L1	HEX 1
STOPFEN 1/8	14	1/8" BSP	400	12	8	5
STOPFEN 1/4	19	1/4" BSP	400	17	12	6
STOPFEN 3/8	22	3/8" BSP	400	17	12	8
STOPFEN 1/2	27	1/2" BSP	400	19	14	10
STOPFEN 3/4	32	3/4" BSP	400	21	16	12
STOPFEN 1	40	1" BSP	400	22,5	16	17
STOPFEN 1 1/4	50	1"1/4 BSP	315	22,5	17	18
STOPFEN 1 1/2	55	1"1/2 BSP	315	22,5	22	24
STOPFEN 2	75	2" BSP	160	30	24	32