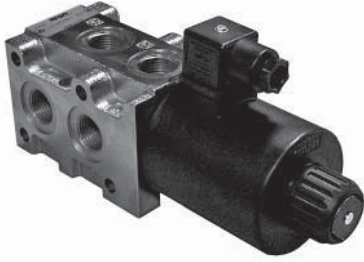


# CDL.10.6... STACKABLE CIRCUIT SELECTOR VALVES



The stackable circuit selector valves, type CDL.10.6, allows one single drive of 6 users with 5 elements connected in series.

As they are moved from high performances solenoids they don't need the external drainage.

This valves can manage high hydraulic powers with a minimal pressure drop.

Max. pressure	250 bar
Max. flow	80 l/min
Overlap	negative
Hydraulic fluids	Mineral oils DIN 51524
Fluid viscosity	10 ÷ 500 mm <sup>2</sup> /s
Fluid temperature	-25°C ÷ 75°C
Ambient temperature	-25°C ÷ 60°C
Max. contamination level	class 10 in accordance NAS with 1638 with filter β <sub>25</sub> <sup>375</sup> see "Overall dimension"
Weight	

### CDL.10.6...

"A16" DC COILS	CH. I PAGE 69
CONNECTORS STANDARD	CH. I PAGE 19

### ORDERING CODE

<b>CDL</b>	Stackable circuit selector valve
<b>10</b>	Size NG10
<b>6</b>	No. of way (single element)
<b>W</b>	Threaded connectors 1/2" BSP
<b>I</b>	Internal drainage
<b>*</b>	No. of elements: 1 / 2 / 3 / 4 / 5
<b>*</b>	Voltage (Tab. 1)
<b>**</b>	Variants (Tab. 2)
<b>1</b>	Serial No.

### TAB.1 - A16 COIL

DC VOLTAGE **	
L	12V
M	24V
N	48V*
P	110V*
Z	102V*
X	205V*
W	Without DC coil

115Vac/50Hz
120Vac/60Hz with rectifier

230Vac/50Hz
240Vac/60Hz with rectifier

Voltage codes are not stamped on the plate, their are readable on the coils.

\* Special voltage  
\*\* Technical data see page I • 68

### TAB.2 - VARIANTS

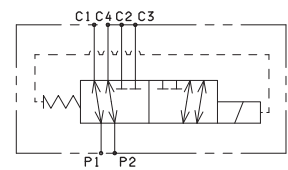
No variant (without connectors)	S1(*)
Viton	SV(*)
Emergency button	ES(*)
Rotary emergency button	P2(*)

Other variants available on request.

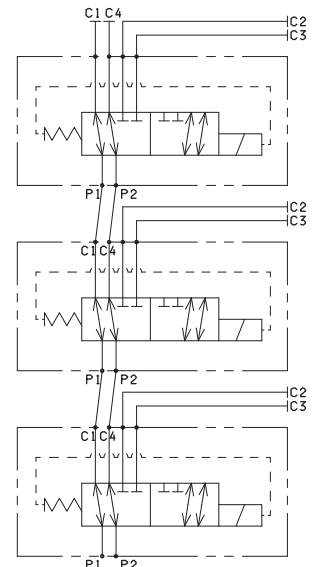
(\*) Coils with Hirschmann connection supplied without connectors. The connectors can be ordered separately, ch. I page 19.

### HYDRAULIC SYMBOLS

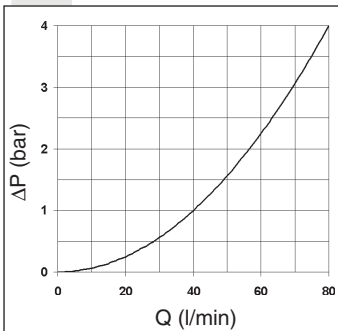
#### SINGLE ELEMENT



#### MULTISTACK CONNECTION



### PRESSURE DROPS

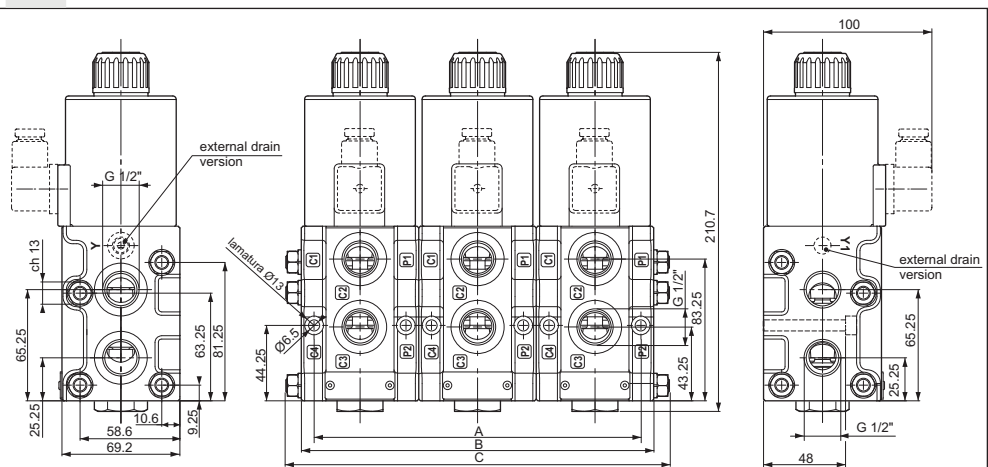


P1 → C1, P1 → C2,  
P2 → C3 et P2 → C4

The fluid used is a mineral oil with a viscosity of 46 mm<sup>2</sup>/s at 40°C; the tests have been carried out at a fluid temperature of 40°C.

Fixing screws UNI 5931 M6x60 with material specifications min. 8.8  
Tightening torque for studs 8 Nm / 0.8 Kgm  
Tightening torque for rods 20 Nm / 2 Kgm

### OVERALL DIMENSIONS



No. of elements	No. of way	Length (mm)			Weight (Kg)	Kit spare part code* (rods and studs)
		A	B	C		
1	06	54	69	-	4,5	/
2	08	123	138	160	9,3	V89.56.0001
3	10	192	207	226	14	V89.56.0002
4	12	261	276	296	18,5	V89.56.0003
5	14	330	345	365	23,3	V89.56.0004

(\*) For multiple composition rods and studs are available.



## "A16" DC COILS FOR ADL10 AND CDL10



Type of protection (in relation to the connector used)	IP 65
Number of cycles	18.000/h
Supply tolerance	±10%
Ambient temperature	-30°C ÷ 60°C
Duty cycle	100% ED
Insulation class wire	H
Weight	0,9 Kg

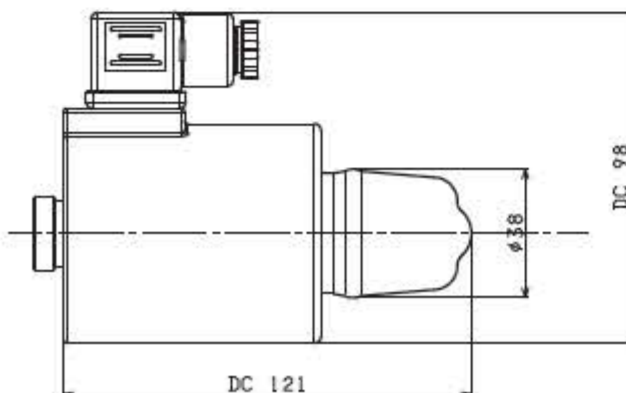
VOLTAGE (V)	MAX WINDING TEMPERATURE (AMBIENT TEMPERATURE 25°C)	RATED POWER (W)	RESISTANCE AT 20°C (OHM) ±7%
12V	106°C	45	3.2
24V	113°C	45	12.4
48V*	-	45	-
102V*(**)	-	45	-
110V*(**)	118°C	45	268
205V*(**)	-	45	-

\* Special voltages

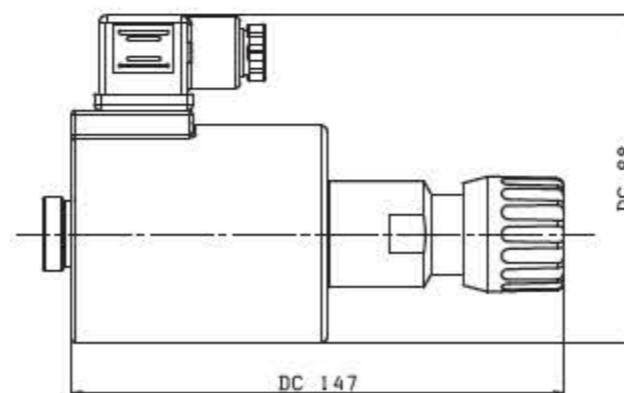
\*\* The european low voltage directive is applied to electrical equipments used at a nominal voltages between 50 and 1000 VAC or 75 and 1500 VDC. In conformity with the low directive each part of the manifold or the subplate on which the valve is mounted should be connected to a protective earth with a resistance less than 0.1 ohms.

### EMERGENCY (COILS WITH HIRSCHMANN CONNECTION)

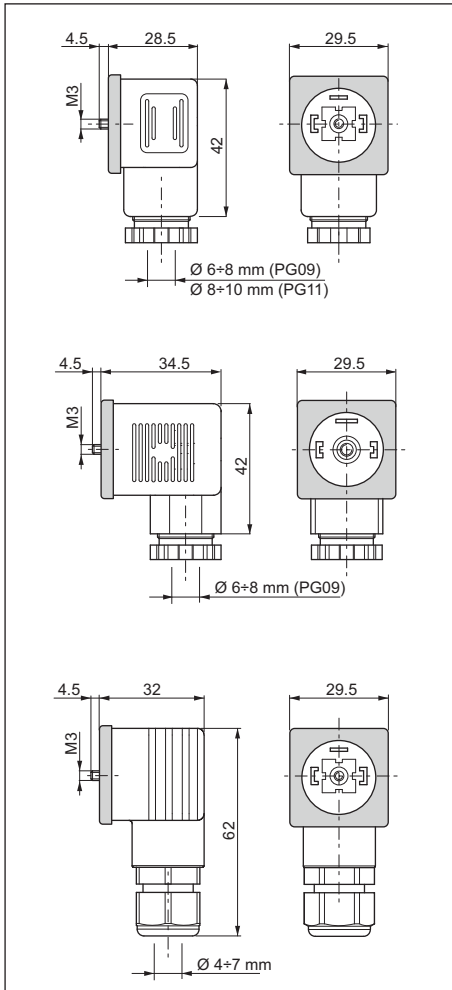
MANUAL WITHOUT CONNECTOR (ES)  
MANUAL WITH CONNETOR (E1)



ROTARY WITHOUT CONNECTOR (P2)  
ROTAN ROTARY WITH CONNETOR (P1)



# CONNECTORS DIRECTIONAL CONTROL VALVES IN ACCORDANCE WITH DIN 43650/ISO4400



Connector	Protection level	Type	Cable gland	Code
Standard	IP65	Black color	PG09	V86 05 0002
		Grey color	PG09	V86 05 0004
		Black color	PG11	V86 05 0006
		Grey color	PG11	V86 05 0008
Lens cover with pilot light (*)	IP65	12 VAC/VDC	PG09	V86 10 0018
		24 VAC/VDC	PG09	V86 10 0012
		115 VAC/VDC	PG09	V86 10 0020
		230 VAC/VDC	PG09	V86 10 0022

Screw tightening torque: 0.60 Nm

Connector	Protection level	Type	Cable gland	Code
With rectifier (*) Inlet voltage 12÷230 VAC Outlet voltage 9÷205 VDC	IP65	Black color	PG09	V86 20 0002
		Grey color	PG09	V86 20 0004
Lens cover with pilot light and rectifier (*) Inlet voltage 12÷230 VAC Outlet voltage 9÷205 VDC	IP65	12 VAC	PG09	V86 25 0018
		24 VAC	PG09	V86 25 0019
		48 VAC	PG09	V86 25 0020
		115 VAC	PG09	V86 25 0021
		230 VAC	PG09	V86 25 0022

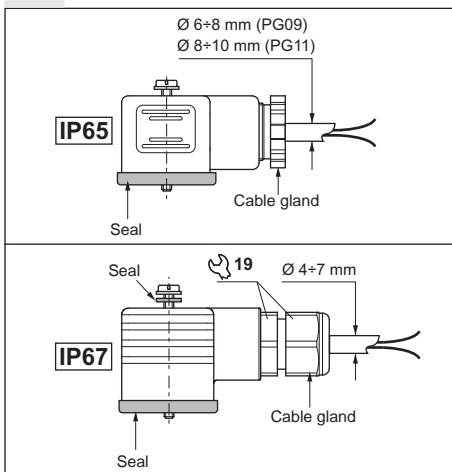
Screw tightening torque: 0.60 Nm

Connector	Protection level	Type	Cable gland	Code
With protection level IP67	IP67	Black color	—	V86 28 0001
		Grey color	—	V86 28 0002

Screw tightening torque: 0.60 Nm

(\*) Don't use for proportional versions

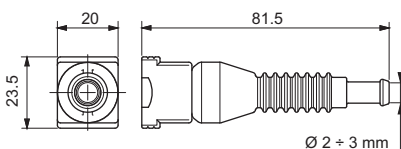
## ELECTRICAL FEATURES OF CONNECTORS



Description	IP65	IP67
AC rated voltage	Max. 250 V	Max. 250 V
DC rated voltage	Max. 300 V	Max. 300 V
Pin contact nominal current	10A	10A
Pin contact max. current	16A	16A
Max. section cable	1.5 mm <sup>2</sup>	1.5 mm <sup>2</sup>
Cable gland PG09 - M16x1,5	Ø cable 6 ÷ 8 mm	Ø cable 4 ÷ 7 mm
Cable gland PG11 - G 1/2" - M20x1,5	Ø cable 8 ÷ 10 mm	—
Protection level	IP65 EN60529	IP67 EN60529
Insulation class	VDE 0110-1/89	VDE 0110-1/89
Operating temperature	-40°C ÷ 90°C	-20°C ÷ 80°C

The degrees of protection indicate is guaranteed only if the connectors were properly mounted with his original seals.

## AMP JUNIOR CONNECTORS



Connector	Type	Cable section	Pin contact max current	Code
AMP Junior connector Timer 2 contact	Black color	0,5 ÷ 1,5 mm <sup>2</sup>	10A	RKRC0808000