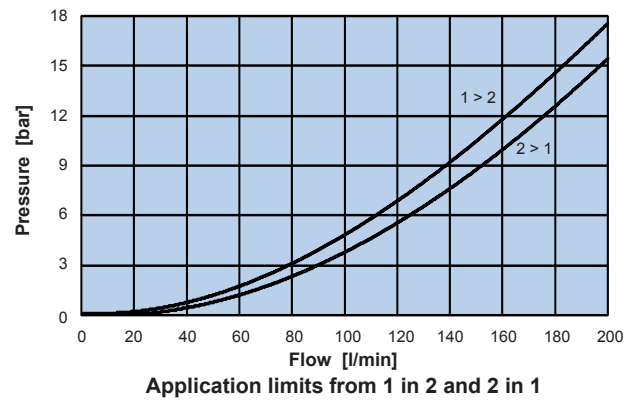
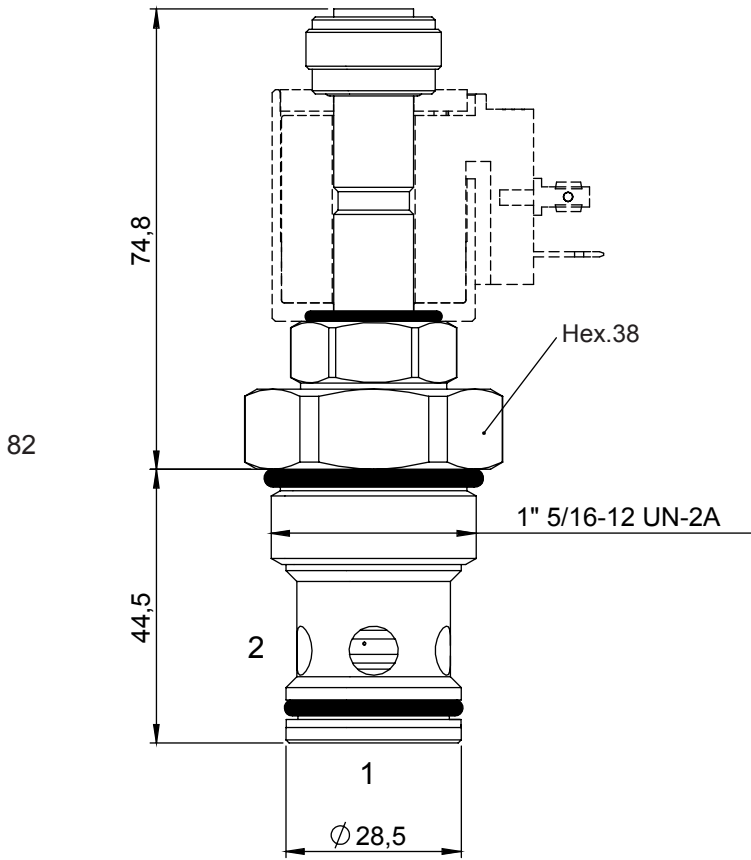
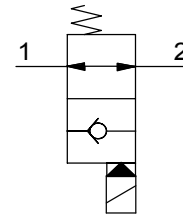


2 WAYS 2 POSITIONS ELECTRIC VALVE, PILOT POPPET OPERATED NO

- Flow.....**200 l/min**
- Max working pressure.....**350 bar**
- Leakage.....**0,25 cc/min**
- Seals.....**NBR**
- Cavity.....**C250000**
- Cartridge tightening torque.....**65 Nm**
- Ring nut tightening torque.....**5 Nm**
- Weight (with coil).....**0,58 Kg**
- Coil **CT-9400** to be ordered separately



Ordering code

0 5 6 5 0 0 0 0 0 0

