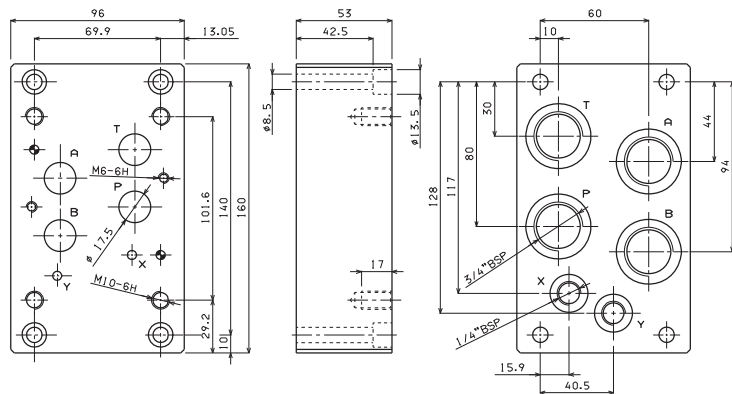


BSH.7.12 WITH P, T, AND A, B REAR 3/4" BSP

- BSH** Single plate for piloted valve
- 7** CETOP 7/NG16
- 12** 3/4" BSP rear connectors
- 00** No variant
- 1** Serial No.

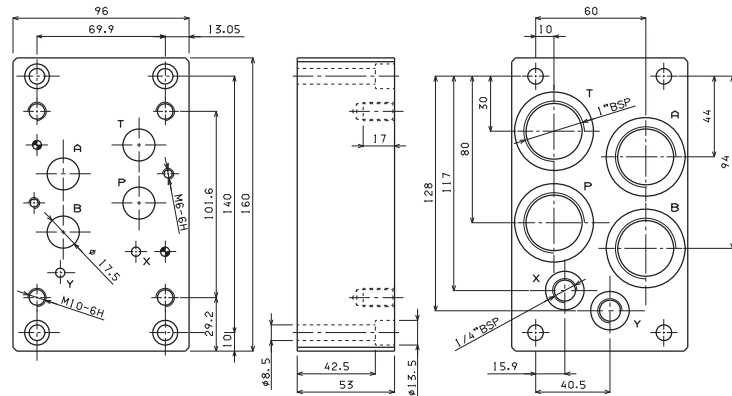
Weight: 5,5 Kg
Fixing screws M8x55 UNI 5931



BSH.7.13 WITH P, T AND A, B REAR 1" BSP

- BSH** Single plate for piloted valve
- 7** CETOP 7/NG16
- 13** 1" BSP rear connectors
- 00** No variant
- 1** Serial No.

Weight: 4,7 Kg
Fixing screws M8x55 UNI 5931



BSH.7.14 WITH P, T AND A, B SIDE 3/4" BSP

- BSH** Single plate for piloted valve
- 7** CETOP 7/NG16
- 14** 3/4" BSP side connectors
- 00** No variant
- 1** Serial No.

Weight: 6,3 Kg
Fixing screws M8x55 UNI 5931

