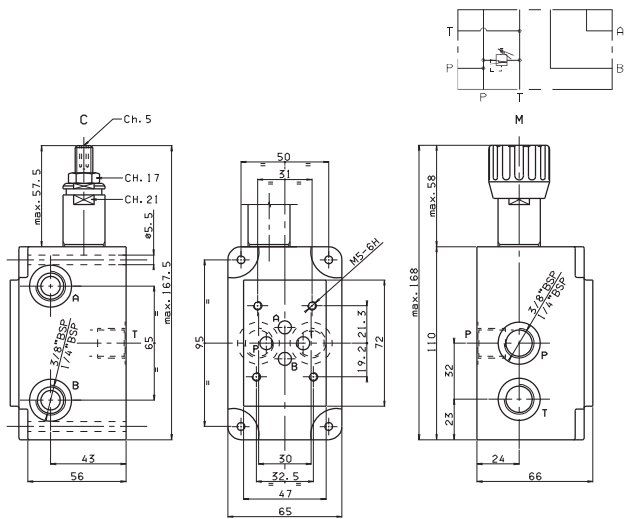


**BS.3.20/21 (CONNECTORS SIDE A AND B, REAR P AND T)**

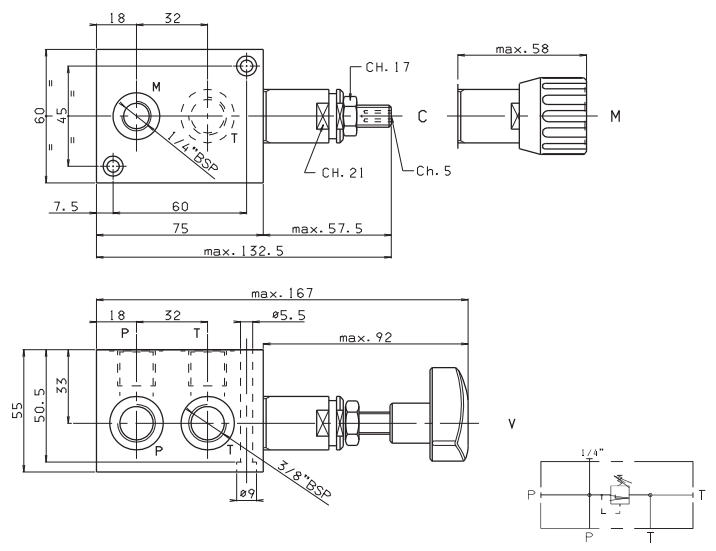
- BS** Single subplate
- 3** CETOP 3/NG6
- \*\*** **20** = 3/8" BSP rear and side connectors  
**21** = 1/4" BSP rear and side connectors
- \*** **M** = Plastic knob  
**C** = Grub screws
- \*** Setting range  
**1** = max. 50 bar (**white spring**)  
**2** = max. 150 bar (**yellow spring**)  
**3** = max. 320 bar (**green spring**)
- 00** No variant
- 1** Serial No.



Weight: 2,9 Kg - Fixing screws M5x65 UNI 5931

**BS.VMP.10 SINGLE STATION SUBPLATE WITH MAX. PRESSURE VALVE FOR SURFACE MOUNTING (E.G. ON TAKE COVER)**

- BS** Single subplate
- VMP** Max. pressure valve
- 10** 3/8" BSP connectors
- \*** **M** = Plastic knob  
**C** = Grub screw  
**V** = Handwheel
- \*** Setting range  
**1** = max. 50 bar (**white spring**)  
**2** = max. 150 bar (**yellow spring**)  
**3** = max. 320 bar (**green spring**)
- 00** No variant
- 1** Serial No.



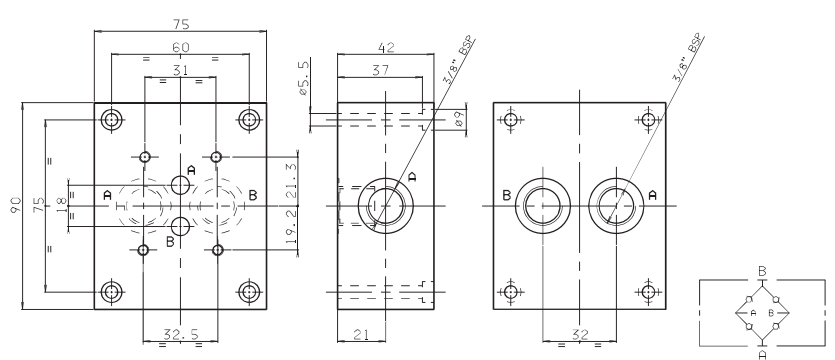
Weight: 1,6 Kg  
Fixing screws M5x60 UNI 5931

• The minimum permissible setting pressure depending on the spring: see cartridge valve type CMP.10...

7

**BS.3.W...**

- BS** Single subplate
- 3** CETOP 3/NG6
- W** Wheatstone bridge
- 00** No variant
- 1** Serial No.



Weight: 1,8 Kg  
Fixing screws M5x45 UNI 5931