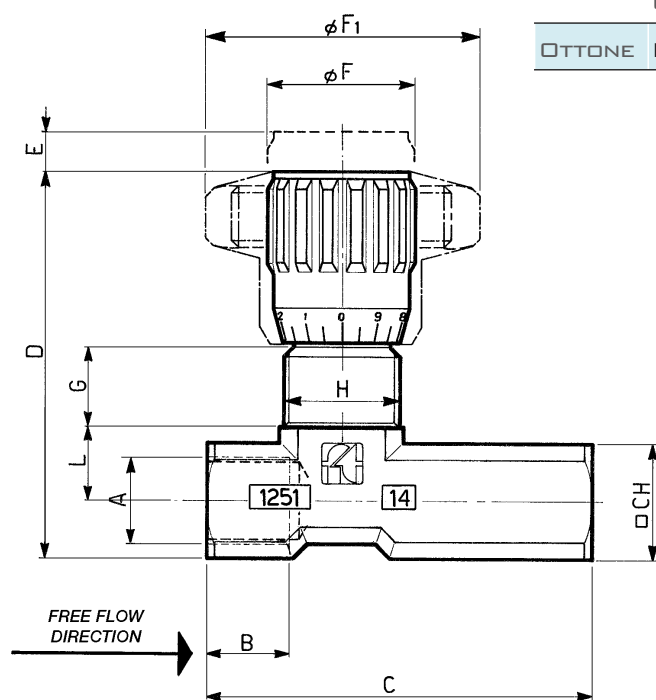



MATERIALS

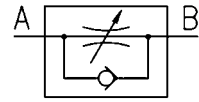
BODY	OT 58 - UNI 5705 NICKEL PLATED
NEEDLE	X 10 CR NI S 1809 - UNI 6900
OR	NITRILE
ANTIEXTRUSION RING	PTFE
KNOB	GD AL SI 12 - UNI EN AB 46100
SPRING	ABS
BALL	AISI 302
BALL GUIDE	UNI 100 C 6
GUIDA SFERA	NYLON 66 + CARBON FIBER

EXAMPLE FOR ORDERING

ACCESSORIES ON REQUEST					
	CODE	TYPE	PANEL RING NUT	VITON SEAL	KNOB ABS
OTTONE	FT 1251/5-01	38	G	V	MP


DIMENSIONS

TYPE	A UNI 338	B	C	D	E	ØF	ØF1	G	H	L	□ CH	WEIGHT KG
14	1/4"G	12	56	57	4,5	22	40	11	M17x1	11,5	18	0,138
38	3/8"G	13	64,5	69	7	27	50	12,5	M20x1	15	22	0,259
12	1/2"G	16	87	82	10	33	70	13	M25x1,5	19	27	0,499
34	3/4"G	20	115	100	12	38	80	15	M30x1,5	22	34	0,975



SINGLE-ACTING CONTROL VALVES FEMALE-FEMALE IN LINE

They allow regulation of flow in one direction and full free flow in opposite direction

thanks to the single-acting unit of ball type with guide cage they are equipped with.

As an alternative to FT 257/5 (suitable up to 400 bar) where the working pressure does not exceed 210 bar and where ferrous materials cannot be used.

They have the same characteristics as the FT 257 series:

- accurate flow regulation;
- efficient metallic sealing;
- simple setting of flow rates;
- secure against accidental needle withdrawal;
- secure needle position with locking screw inserted in the knob;
- provision for panel mounting, for which special lock nut (G) is supplied on request.

For use with pressure up to 210 bar

On request

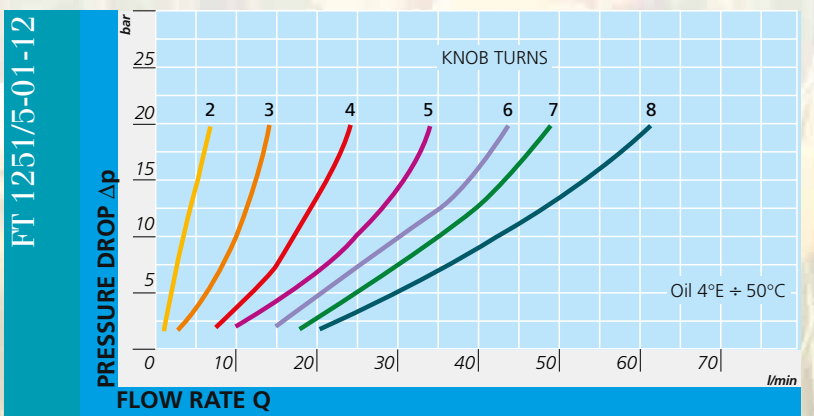
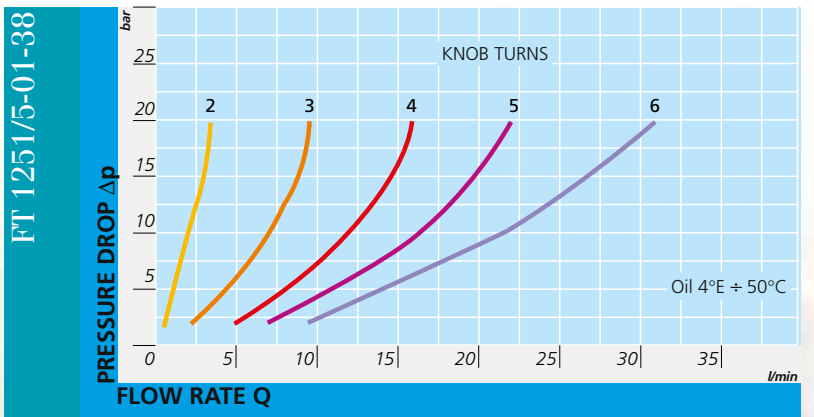
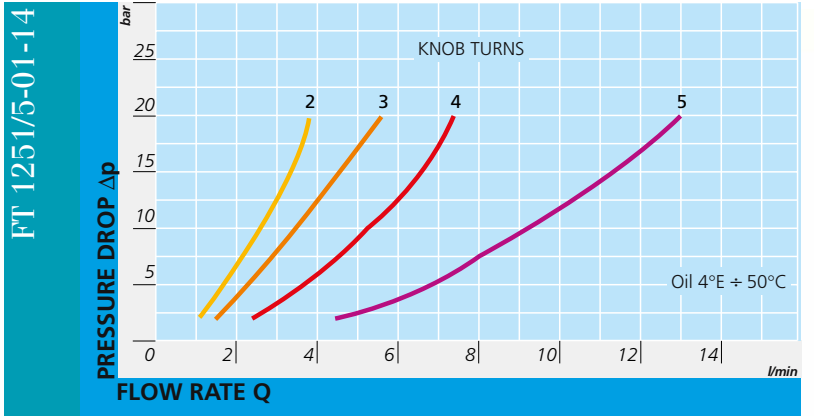
- Viton (V) seals
- NPT threads
- ABS (mp)Knob
- Complete with lock nut (G)



FT 1251/5-01

TECHNICAL DATA

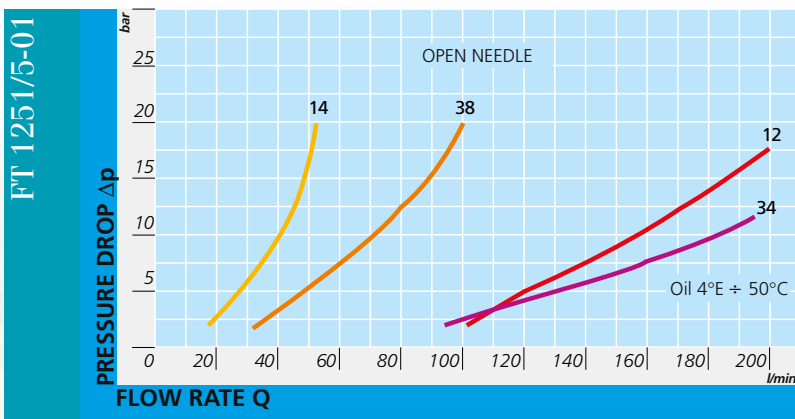
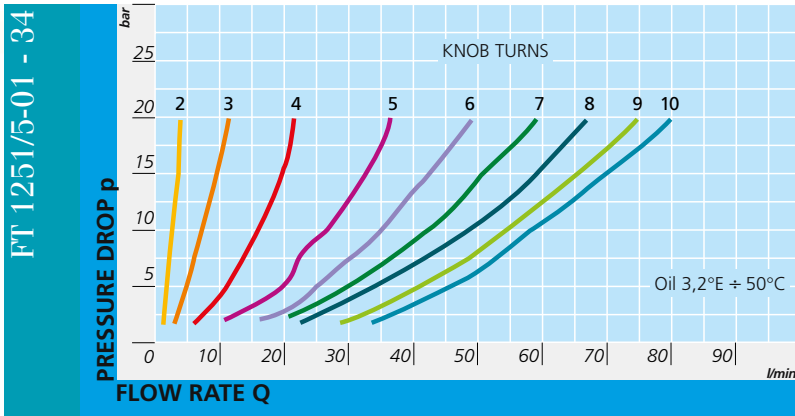
TYPE	FLOW SQ MM ²	MAX WORKING PRESSURE BAR	WORKING TEMPERATURE °C	FILTRATION GRADE μM
14	12,57	210	-20°/+100°	25
38	19,64	210	-20°/+100°	25
12	50,27	210	-20°/+100°	25
34	78,54	210	-20°/+100°	25

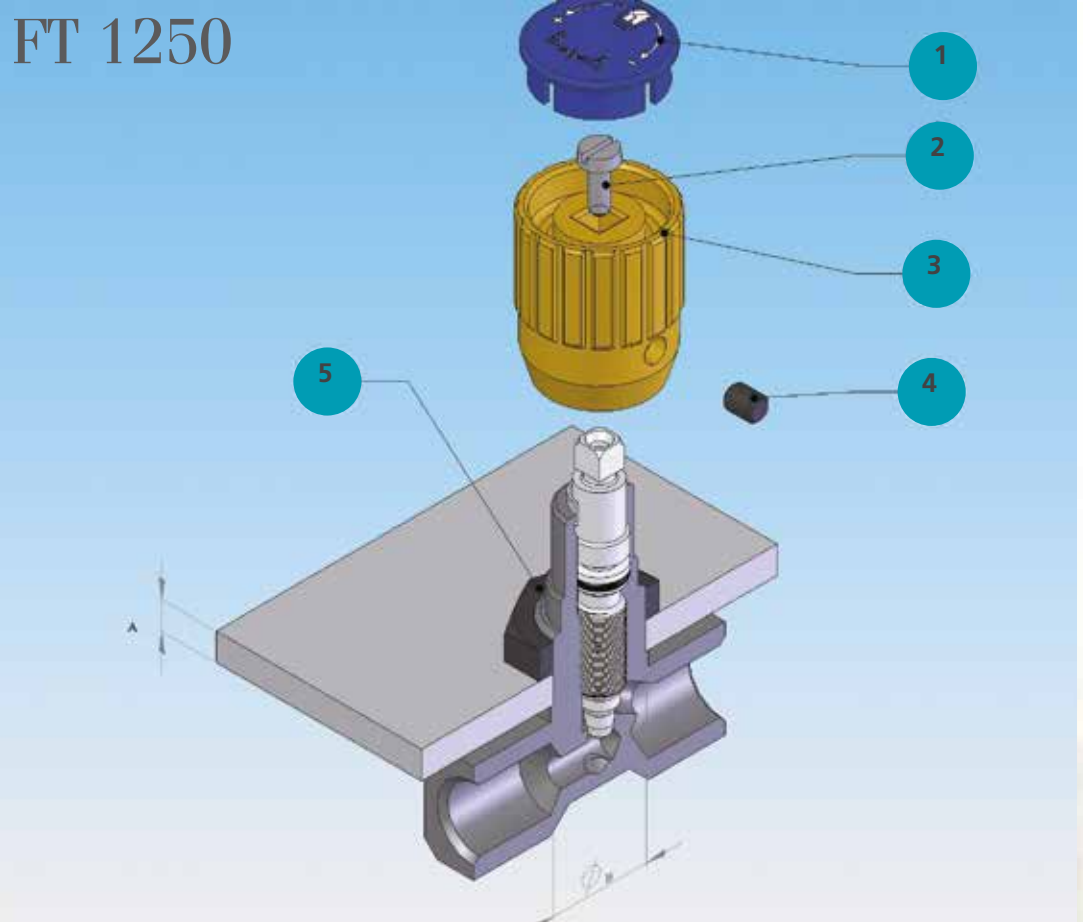


FLOW RATE CURVES



FT 1251/5-01





ASSEMBLY INSTRUCTION

1°	LOOSEN SCREW PRESSURE DOWEL (4)
2°	REMOVE PLUG (1)
3°	REMOVE SCREW (2)
4°	PULL OFF KNOB (3)
5°	INSERT RING NUT (5), ON REQUEST IT IS SUPPLIED WITH THE VALVE
(A)	MAX. THICKNESS
(B)	PANEL HOLE \varnothing

TYPE VALVE	THICKNESS PANEL A MAX	PANEL HOLE \varnothing B
18	5	16
14	5	18
38	5	21
12	6	26
34	6	31