

Characteristics

TYPE	SETTING RANGE	PROOF PRESSURE	BURST PRESSURE
ISP-060/ *- *- CE	0 ÷ 60 bar	2 x rated pressure	400 bar
ISP-100/ *- *- CE	0 ÷ 100 bar		500 bar
ISP-250/ *- *- CE	0 ÷ 250 bar		1000 bar
ISP-350/ *- *- CE	0 ÷ 350 bar		1000 bar
ISP-400/ *- *- CE	0 ÷ 400 bar		1500 bar
ISP-600/ *- *- CE	0 ÷ 600 bar		2000 bar

Description

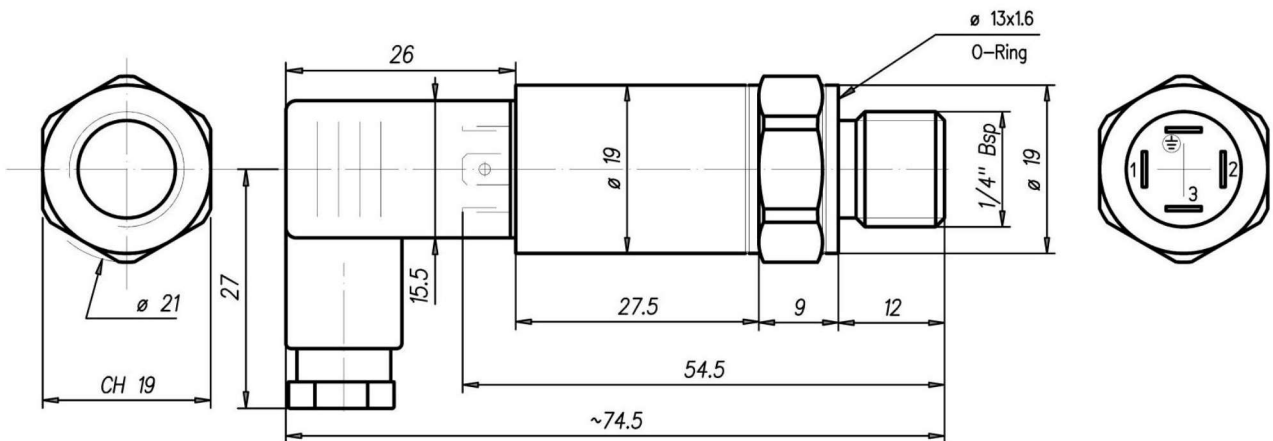
The pressure transducers type ISP give an output signal (tension or current) proportional to the incoming hydraulic pressure.

The design and machining of the body from a stainless steel solid piece make these components suitable for mobile and industrial use.

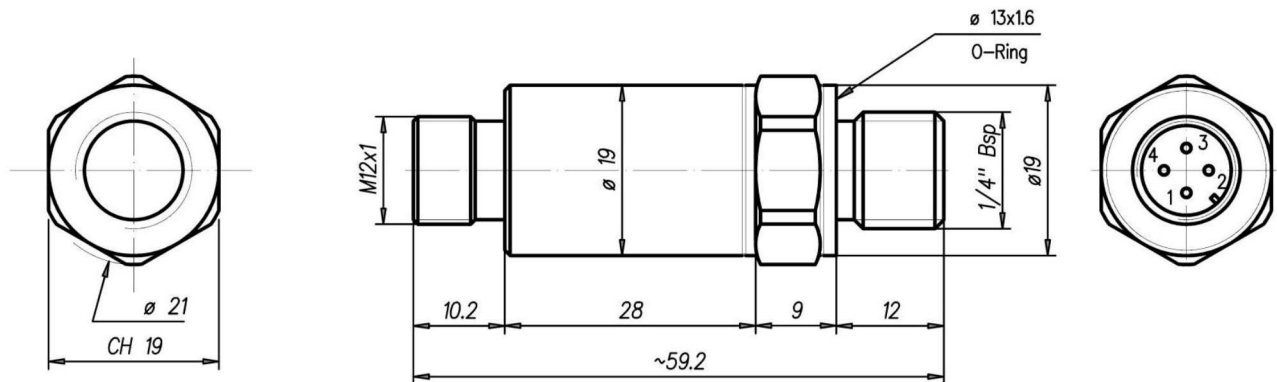
The pressure transducers ISP meet latest CE standards and offer a wide selection of configuration: according to the electric connection, output and hydraulic connection.

Dimensions

Hirshman DIN- 43650C (Standard)



Metric M12x1 4 PIN (On request)



Technical specifications

Sensor	Thin film on steel
Measuring range	0 ÷ 60 to 0 ÷ 600 bar
Output Signal	4 ÷ 20 mA ; 0 ÷ 10 VDC

Operating temperature	-25 + 85°C (standard)
	-40 + 125°C ("E" option)
Media temperature	-25 + 85°C (standard)
	-40 + 125°C ("E" option)
Protections	IP65; IP67 ("M" option)
Humidity	Max 95% relative
Vibration	25g (20 + 2000Hz)
Shock	50 g/11ms Sin

Material sensor	1.4542 (AISI 630)
Material Housing	1.4301 (AISI 304)
Material O-Ring (media contacting)	NBR or EPDM
Mounting torque	25 Nm
Weight	~ 50 g.

Emission	EN/IEC 61000-6-3
Immunity	EN/IEC 61000-6-2

Output 4 ÷ 20 mA / Supply voltage 24 (9 ÷ 32) VDC
Output 0 ÷ 10 VDC / Supply voltage 24 (15 ÷ 32) VDC

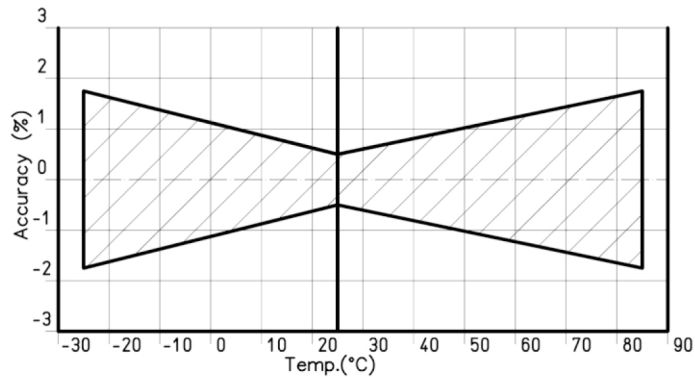
Rise time	typ. 1 ms/10 ÷ 90% nominal pressure
Switch-on delay	100 ms

Output	Load resistance
4 ÷ 20 mA	(U _{SUPPLY} - 9V)/20mA
0 ÷ 10 VDC	≥ 5 kΩ

TEB @ -25 + 85°C	± 1.75 [%fs Typ]
Accuracy @ + 25°C	± 0.5 [%fs Typ]
NLH @ + 25°C (BSL through 0)	± 0.2 [%fs Typ]
TC zero point and span	± 0.03 [%fs/K Typ]
Long term stability 1 year @ + 25°C	± 0.2 [%fs Typ]

Electric connection	Hirshman DIN-43650C IP-65	Metric M12x1, 4-pin IP-67
Output signal		
 Shield Us Supply + Us Supply - earth/housing	2 1 ⊕ (4)	1 3 ⊕ (4)
 Shield Us Supply + Out (Output) Us Supply - earth/housing	1 2 3 ⊕ (4)	1 2 3 ⊕ (4)

TEB (Total error band) output signal



Ordering code

