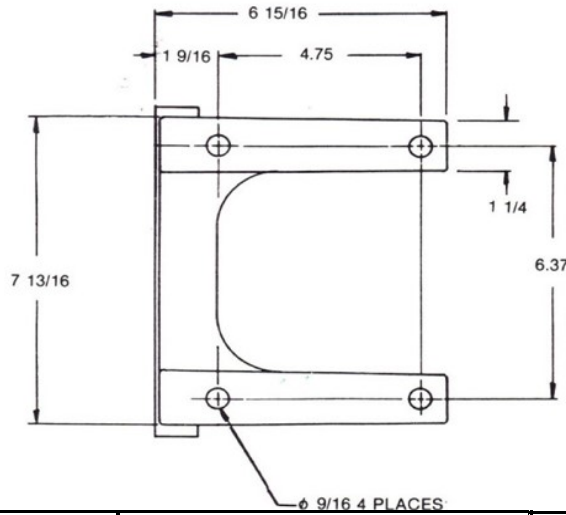
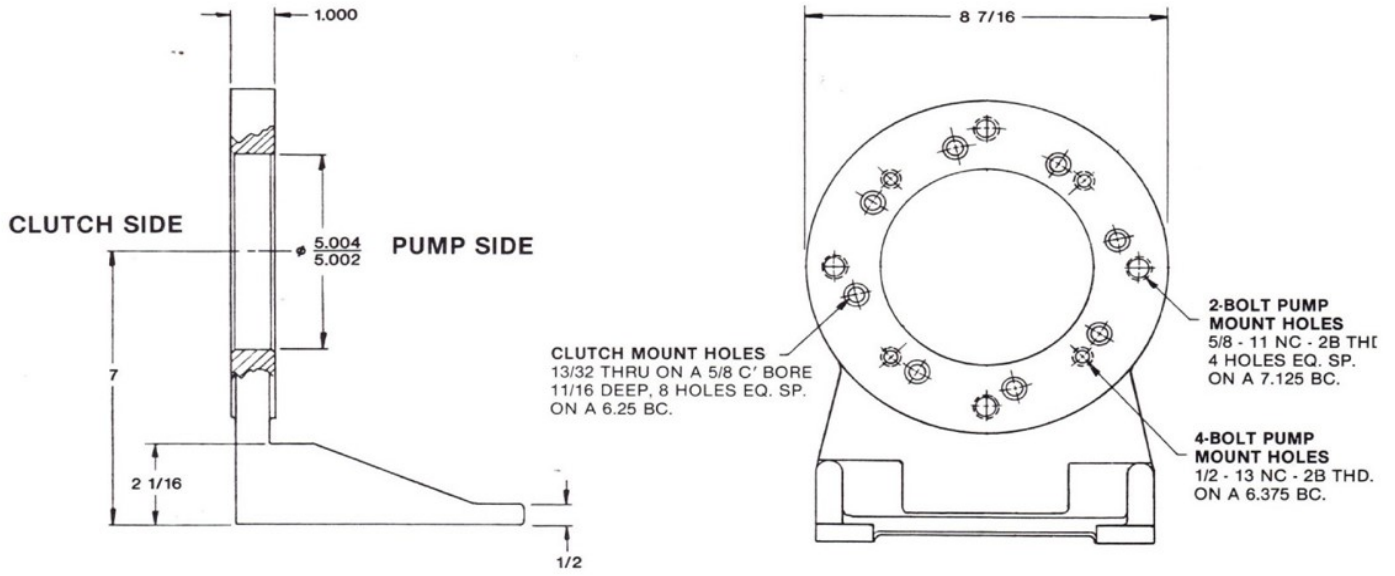




## Model B-H36-H49-C

### Clutch Mounting Bracket SAE "C" 2-4 Bolt



PATENT NO. 4601378

Bracket Part No	Used On	Weight
13256	H36 H44 H49 Series Clutches	21 Lbs.