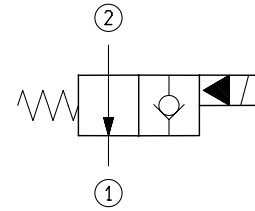
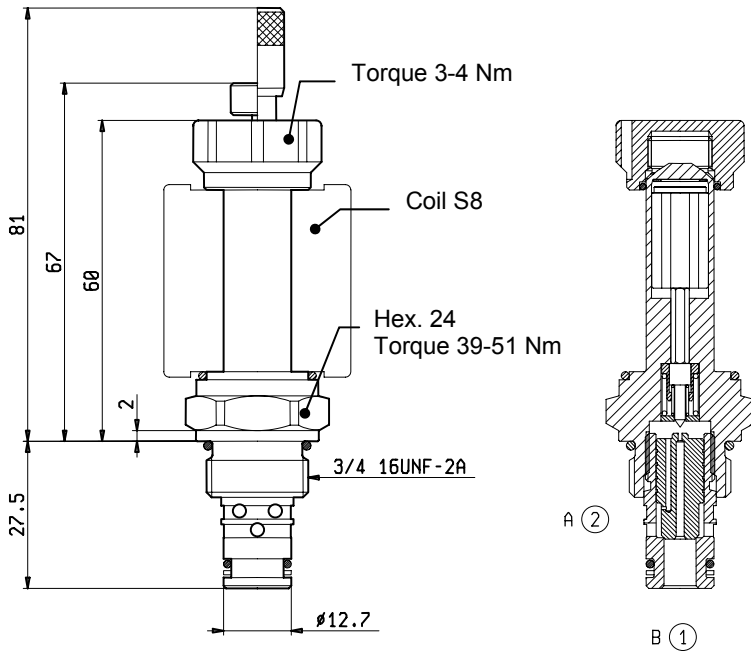


**SOLENOID OPERATED VALVES
POPPET 2-WAY NORMALLY OPEN
CARTRIDGE STYLE**



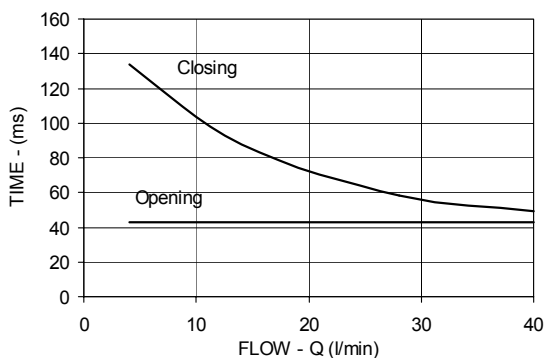
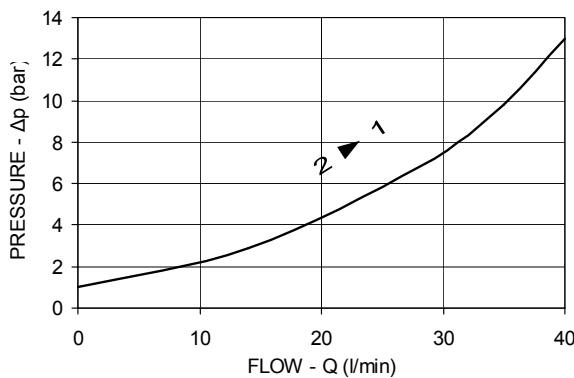
VEI-8I-2A-06-NA-S1

OD.15.02.18 - Y - 00



TECHNICAL DATA

Maximum Operating Pressure	350	bar
Rated Flow	30	l/min
Cavity - Tooling (018-E)	page 7.01.100	
Weight	0.130	kg
Fluids - Temperatures	page 7.01.040	
Testing Conditions - Seals	page 7.01.040	
Internal Leakage	page 7.01.040	
Filtration : 25 µm nominal or better	page 7.01.050	
Minimum Voltage Required	90% of nominal	
Coils must be ordered separately	page 1.71.050	
Mounting Position	unrestricted	



Y	ORDERING OPTIONS	
20	Standard	
21	Push Style Manual Override	
22	Push and Twist Style Manual Override	