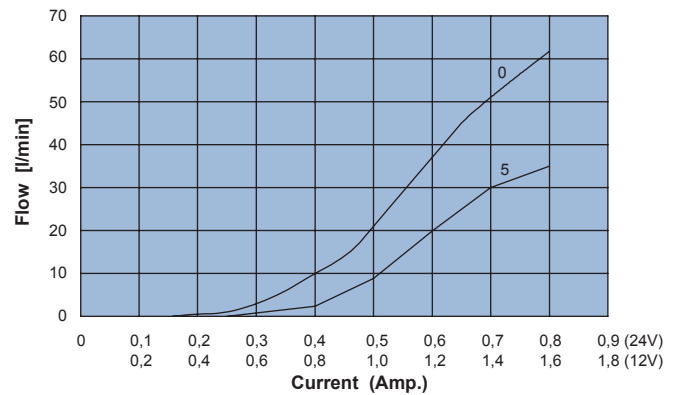
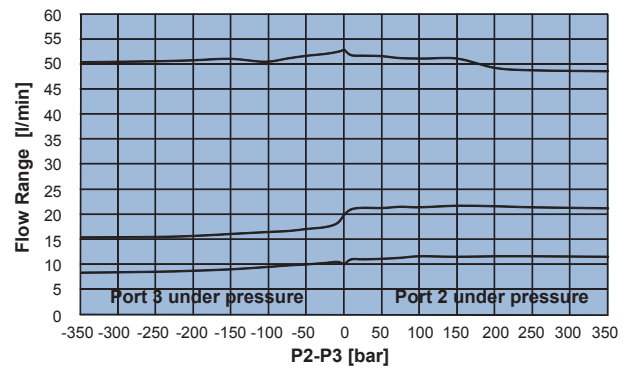
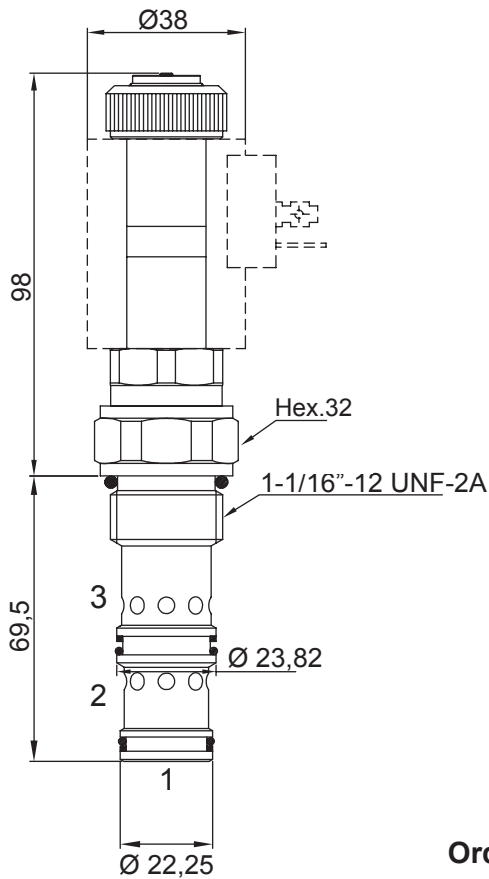
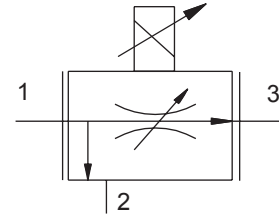


3 WAY FLOW REGULATOR VALVE

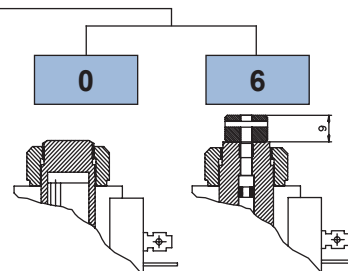
- Max flow range in 1 80 l/min
- Max working pressure in 1:2:3 250 bar
- Leakage 150 cc/min
- Seals NBR and PTFE
- Cartridge tightening torque 50 Nm
- Ring nut tightening torque 5 Nm
- Weight (with coil) 0,7 Kg
- PWM 120 Hz
- Hysteresis 5%
- Max current at 24 Vcc 900mA
- Max current at 12 Vcc 1800mA
- Cavity C340000 page 222
- Body 171412 page 197
- Coil (to be ordered separately) 09800 page 180



Ordering code

0 3 6 4 1 0 0 1

FLOW RANGE	0	5
Min - Max [l/min]	0÷50	0÷35



No emergency Unscrew type

